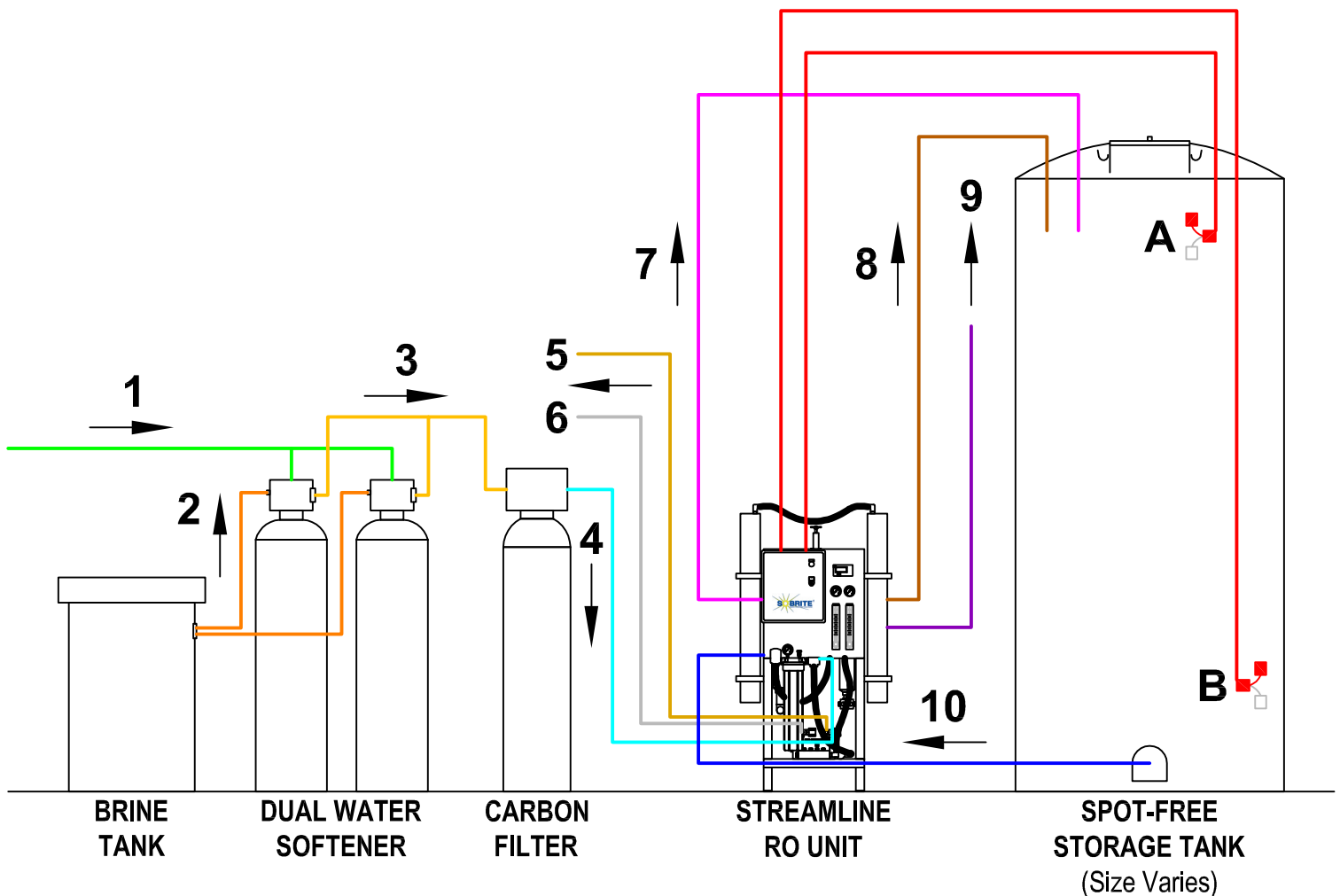


STREAMLINE RO SYSTEM

Typical System Layout



PIPE LEGEND

- 1 - Fresh Water Supply In - Split to Dual Water Softener Heads
- 2 - Two Tubes from Brine Tank to Dual Water Softener Heads
- 3 - Soft Water Discharge - From Dual Water Softener to Carbon Filter
- 4 - Carbon Filter Flex Line - To StreamLine RO Unit
- 5 - Rain Bar Discharge - From StreamLine RO Unit to Car Wash
- 6 - Mirror Rinse Discharge - From StreamLine RO Unit to Car Wash
- 7 - Pressure Relief Flex Hose - From StreamLine RO Unit to Spot-Free Storage Tank
- 8 - Spot-Free Flex Line - From StreamLine RO Unit to Spot-Free Storage Tank
- 9 - Concentrate Saver Flex Line - From StreamLine RO Unit to Concentrate Saver Tank or Sewer
- 10 - Spot-Free Re-Pressure Pump Suction Line - From Spot-Free Storage Tank to StreamLine RO Unit

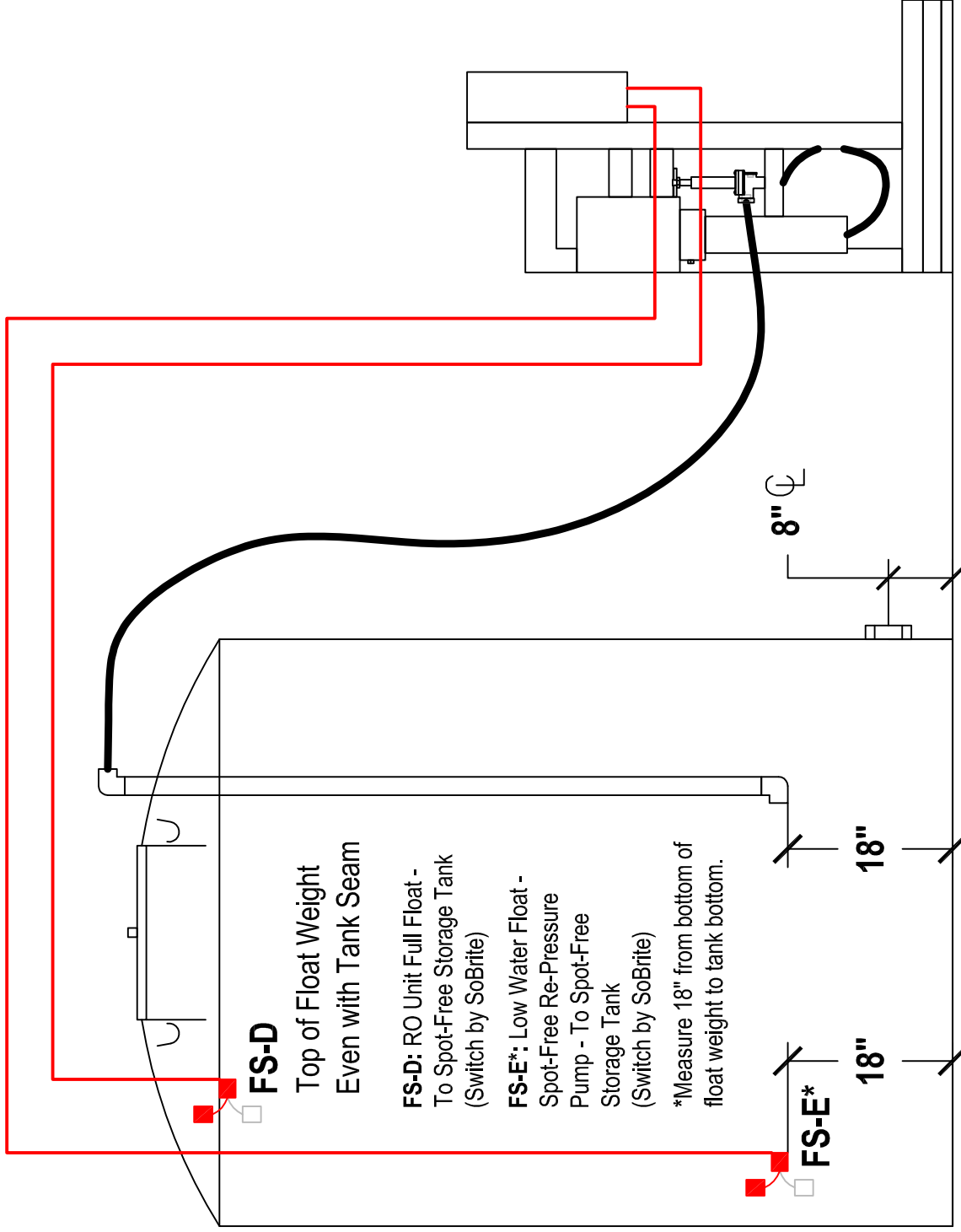
ELECTRICAL LEGEND

- A - StreamLine RO Unit Full Float Switch (FS-D)
- B - Spot-Free Re-Pressure Pump Low Water Float Switch (FS-E)



CONNECTION TO SPOT-FREE STORAGE TANK

Pressure Relief - 3/4" Hose



**Spot-Free
Storage Tank**

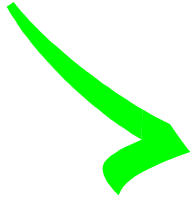
**StreamLine
RO Unit**

STREAMLINE RO - SPOT-FREE RE-PRESSURE PUMP

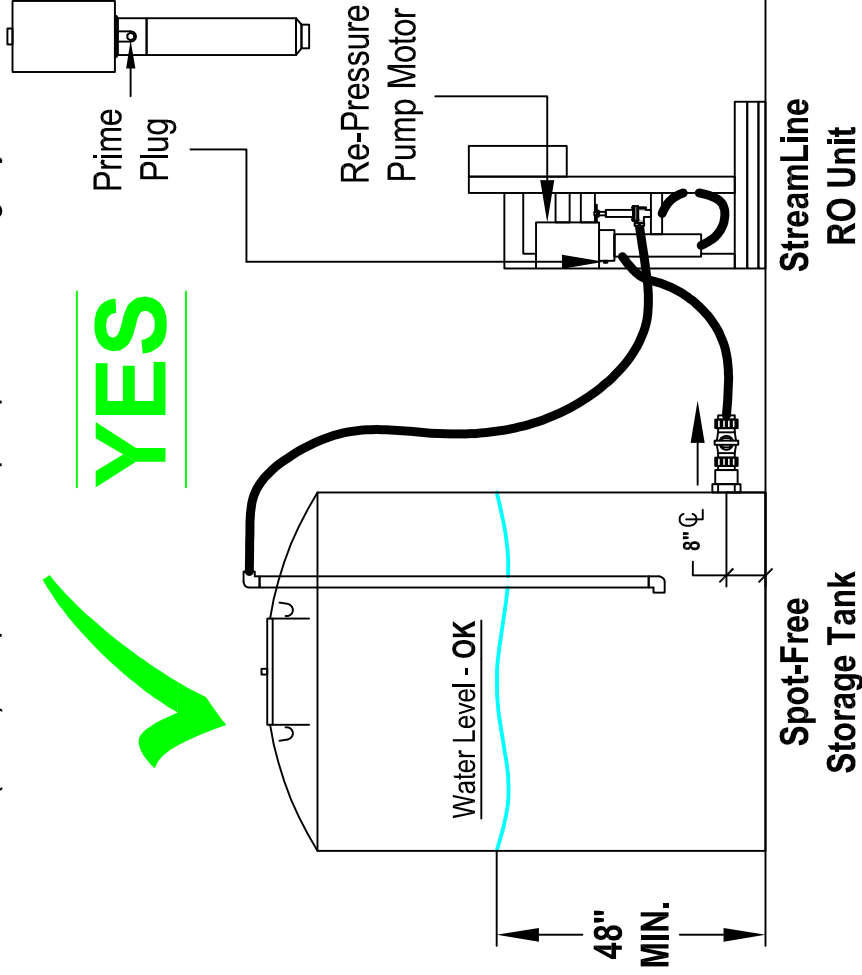
Prime & Startup Procedure

INITIAL START-UP

Failure to provide an adequate water supply to prime the pump will cause permanent damage to the pump & seals. **PUMP & SEAL DAMAGE VOIDS ALL WARRANTY.** The pump will hold prime after the initial priming procedure. The water level can go lower; the Low Water Float Switch (FS-E) will prevent the pump from running dry.



YES

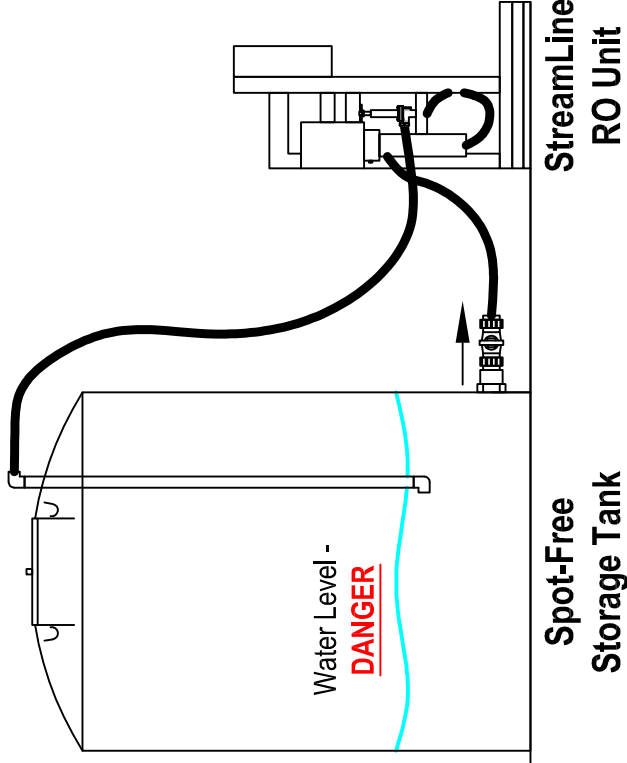


CAUTION

The water level **MUST** be higher than the Spot-Free Re-Pressure Pump/Motor upon initial startup. Permanent damage to the pump seals, impellers, & motor can result if the water level is too low.

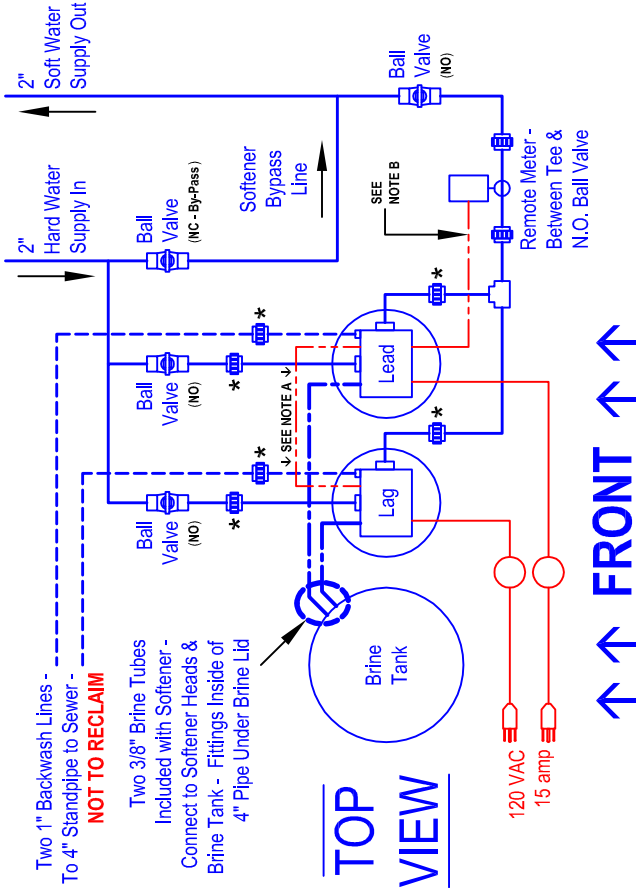
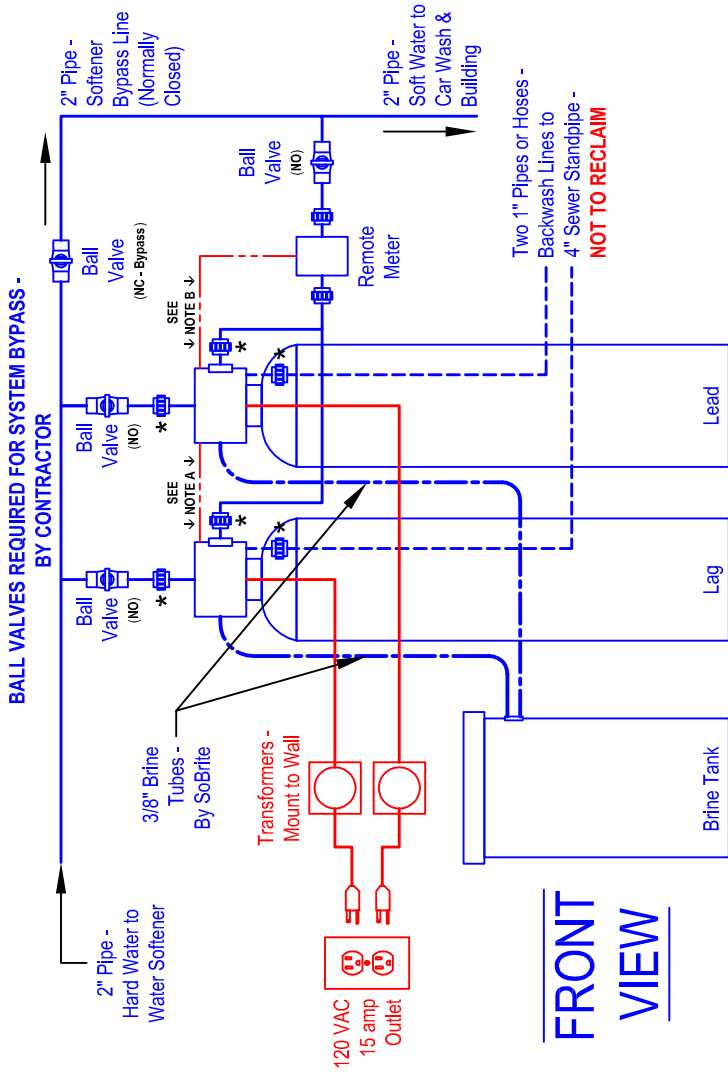


NO!



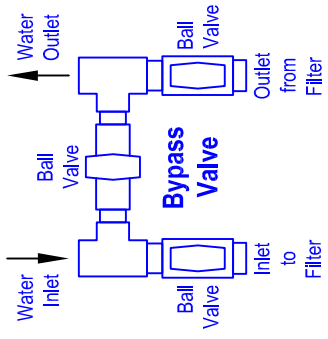
2900 WATER SOFTENER

Plumbing & Electrical Details



TYPICAL BYPASS

2900 Head - Plumbing by Plumber



- NOTES:**
- * Unions for Service - Install Close to Softener Heads
 - A - Communication Cable from Lag Head to Lead Head - Connect to **CAN1** Port on Both Softener Heads - Cable by SoBrite
 - B - Communication Cable from Lead Head to Remote Meter - Connect to **METER** Port on Lead Head - Cable by SoBrite
 - NC - Ball Valve Normally Closed
 - NO - Ball Valve Normally Open

