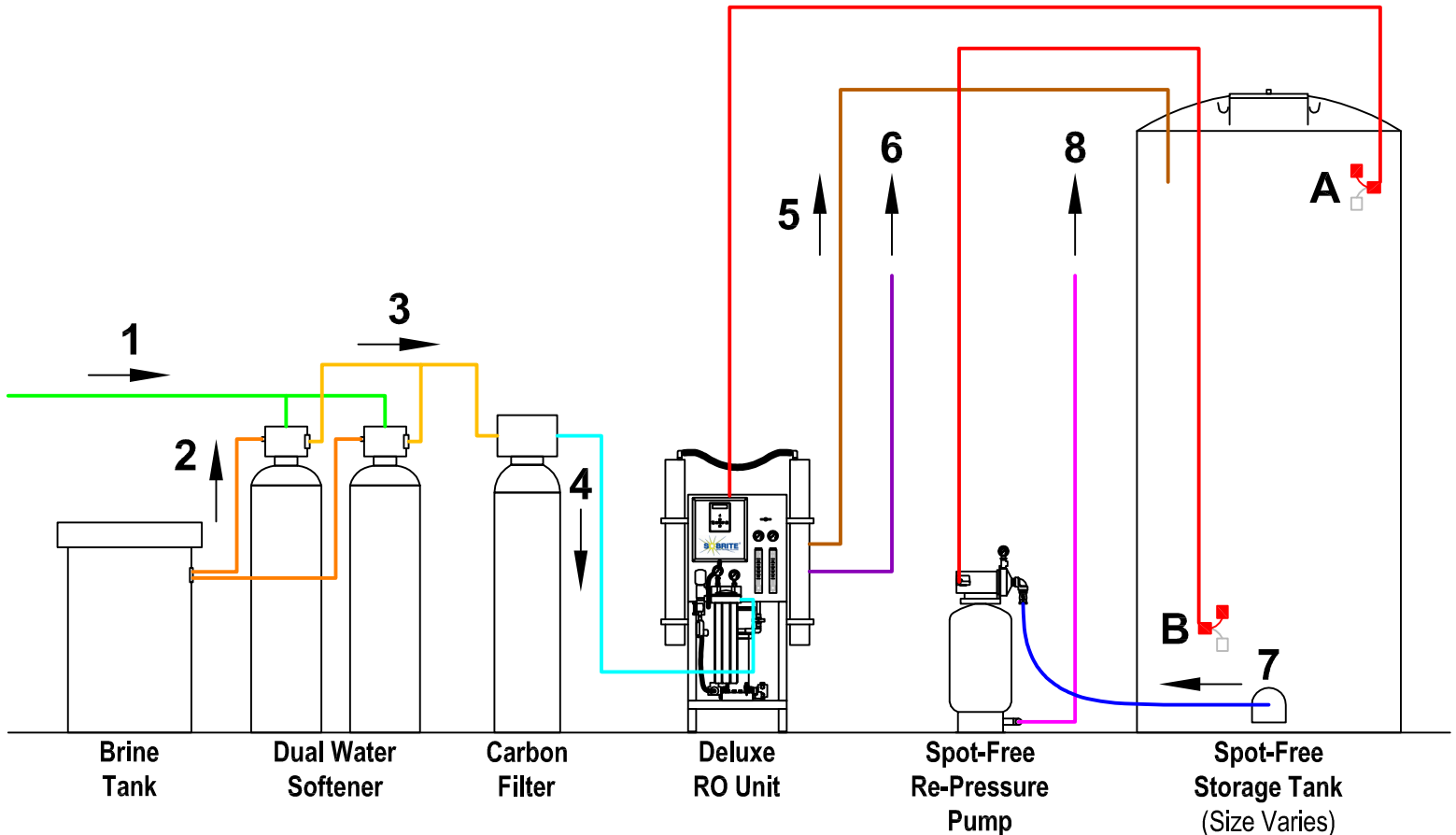


DELUXE RO SYSTEM

Typical System Layout



Pipe Legend

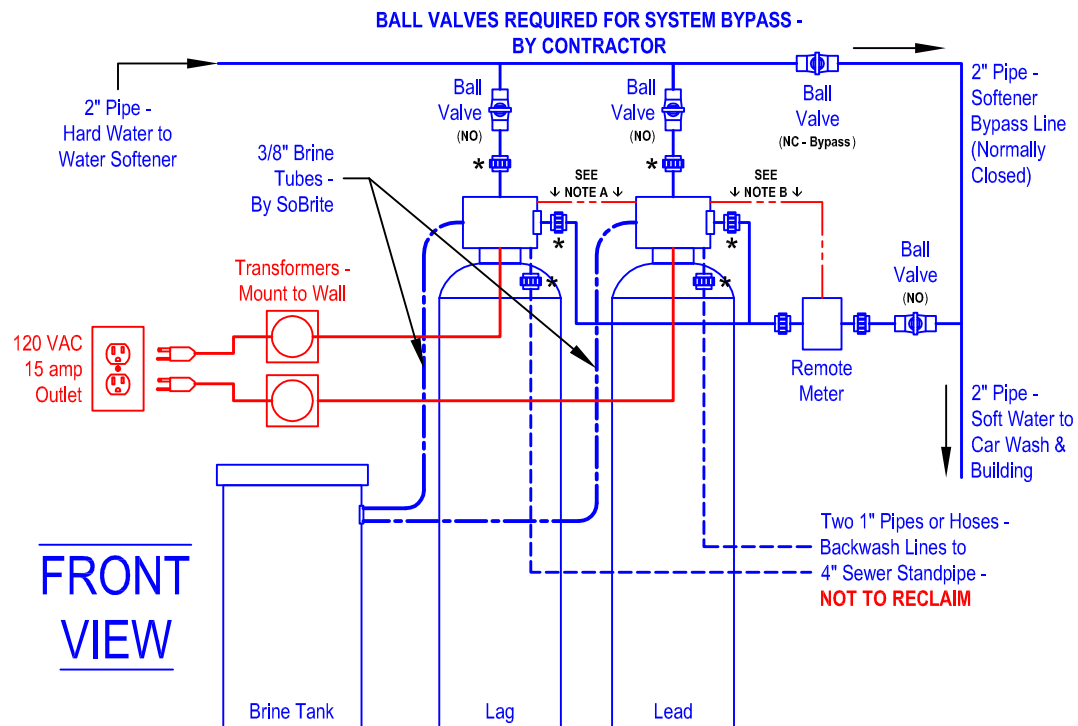
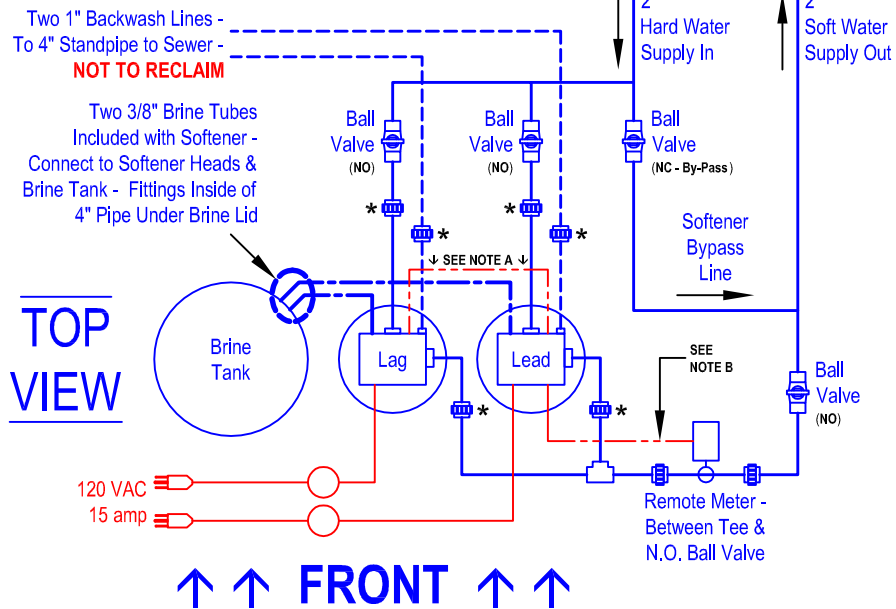
- 1 - Fresh Water Supply In - Split to Dual Water Softener Heads
 - 2 - Two Tubes from Brine Tank to Dual Water Softener Heads
 - 3 - Soft Water Discharge - From Dual Water Softener to Carbon Filter
 - 4 - Carbon Filter Flex Line - To Deluxe RO Unit
 - 5 - Spot-Free Flex Line - From Deluxe RO Unit to Spot-Free Storage Tank
 - 6 - Concentrate Saver Flex Line - From Deluxe RO Unit to Concentrate Saver Tank or Sewer
 - 7 - Spot-Free Re-Pressure Pump Suction Line - From Spot-Free Storage Tank to Spot-Free Pump Inlet
 - 8 - Spot-Free Re-Pressure Pump Discharge Line - From Spot-Free Pump Outlet to Mirror Rinse & Rain Bar Solenoid Valves -
- SOLENOID VALVE LOCATIONS BY CUSTOMER**

Electrical Legend

- A - Deluxe RO Unit Full Float Switch (FS-D)
- B - Spot-Free Re-Pressure Pump Low Water Float Switch (FS-E)

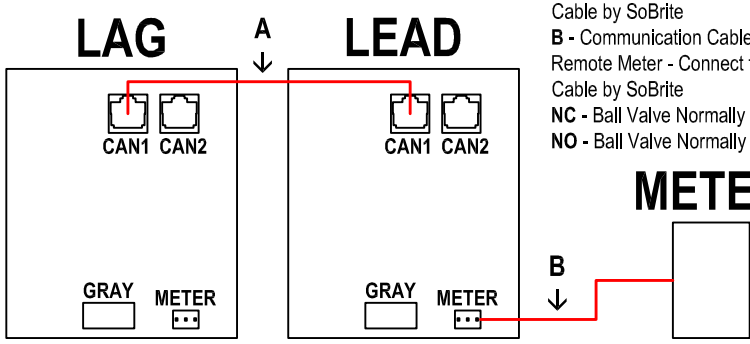
2900 WATER SOFTENER

Plumbing & Electrical Details



* Unions for Service - Install Close to Softener Heads

NOTES:
A - Communication Cable from Lag Head to Lead Head - Connect to **CAN1** Port on Both Softener Heads - Cable by SoBrite
B - Communication Cable from Lead Head to Remote Meter - Connect to **METER** Port on Lead Head - Cable by SoBrite
NC - Ball Valve Normally Closed
NO - Ball Valve Normally Open



TYPICAL BYPASS 2900 Head - Plumbing by Plumber

